

BT2B332831

Dimensions and Parameters

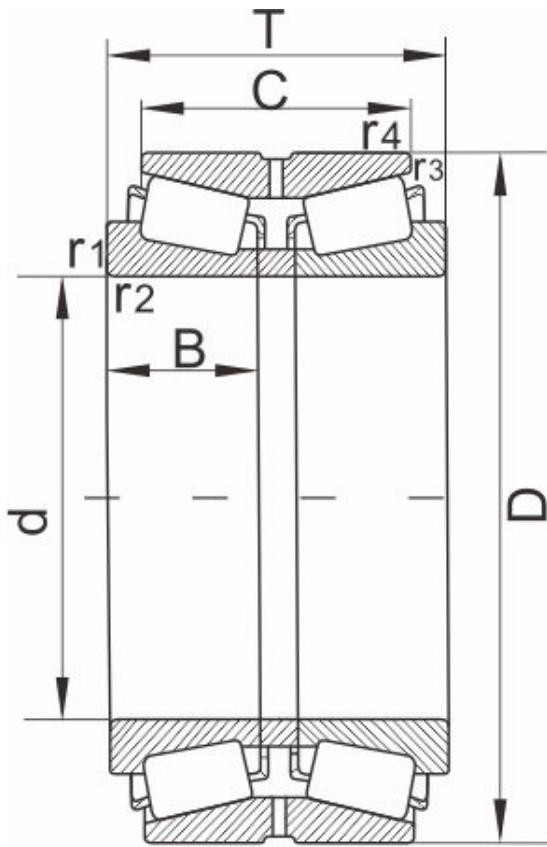


图 Design 11

Designation	BT2B332831
-------------	------------

Boundary dimensions[mm]

d	360,14.1732
D	480
T	160
C	128
r1,r2 Min	3
r3,r4 Min	1
Mass[kg]	73
AFBMA	--
Design	11

Load ratings[kN]

dyn Cr	1900
stat Cor	4780

Calculation factors

e	0.33
Y1	2
Y2	3
Y0	2
K	1.77