

BT2B332830

Dimensions and Parameters

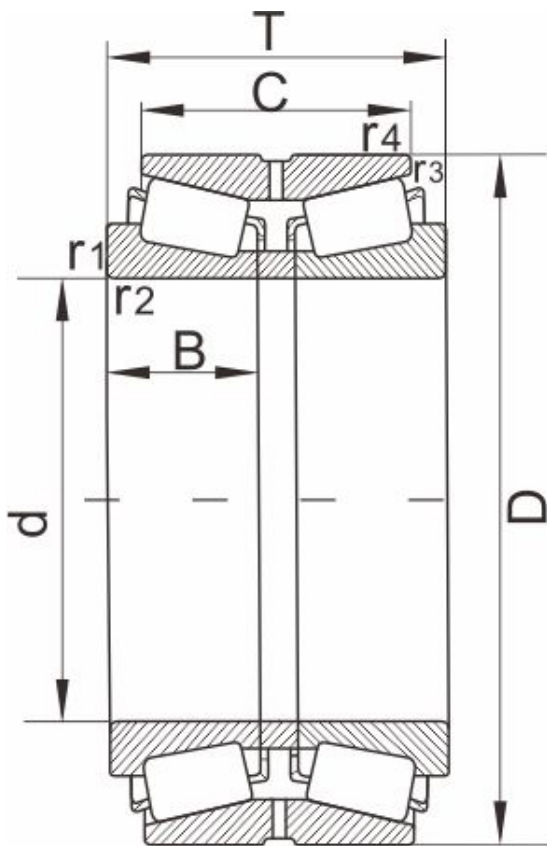


图 Design 11

Designation	BT2B332830
-------------	------------

Boundary dimensions[mm]

d	340,13.3858
D	460
T	160
C	128
r1,r2 Min	3
r3,r4 Min	1
Mass[kg]	71
AFBMA	--
Design	11

Load ratings[kN]

dyn Cr	1940
stat Cor	4690

Calculation factors

e	0.31
Y1	2.2
Y2	3.3
Y0	2.2
K	1.86