

BT2B332799

Dimensions and Parameters

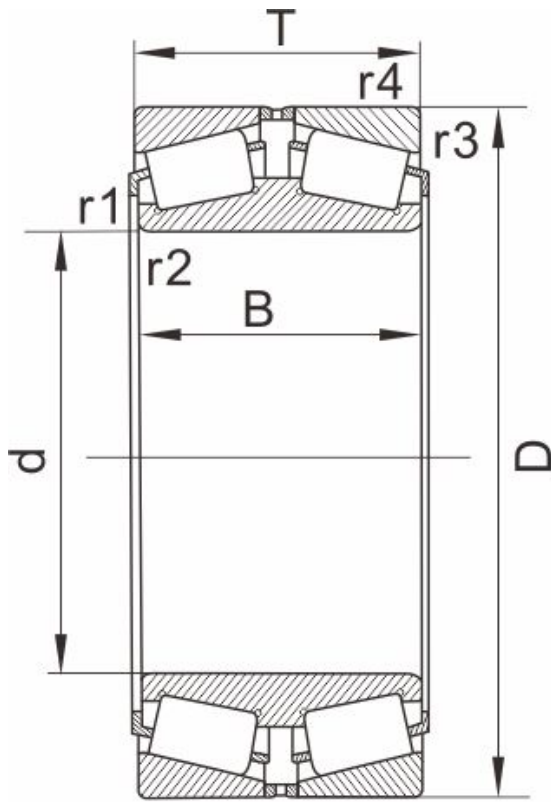


图 Design 11

Designation	BT2B332799
Boundary dimension [mm]	
d	203.200,8.0000
D	317.5
T	133.35
B	133.35
r1,r2 Min	6.4
r3,r4 Min	3.3
Mass (kg)	40
AFBMA	93801D/93125
Design	11

Load ratings[kN]

Dyn Cr	1050
Stat Cor	2370

Calculation factors

e	0.52
Y1	1.3
Y2	1.9
Y0	1.3
K	1.12