

BT2B332797

Dimensions and Parameters

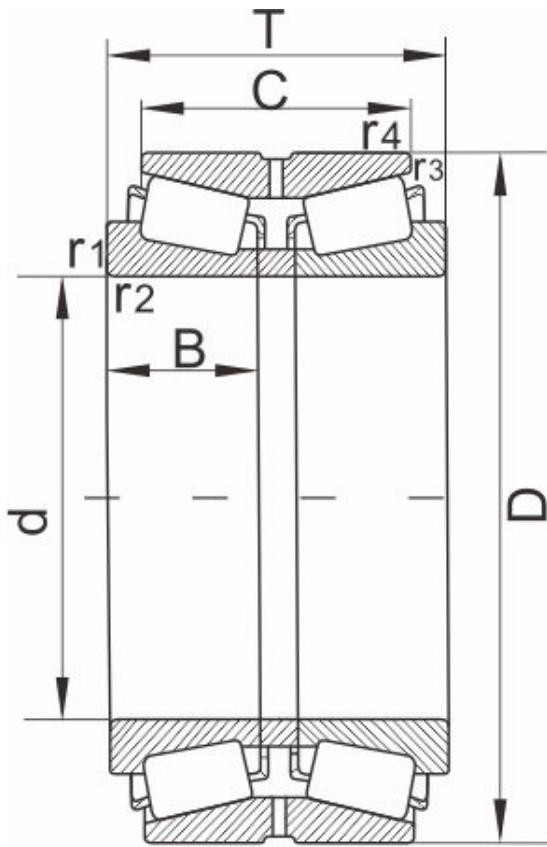


图 Design 11

Designation	BT2B332797
-------------	------------

Boundary dimensions[mm]

d	480,18.8976
D	650
T	180
C	130
r1,r2 Min	5
r3,r4 Min	1.5
Mass[kg]	150
AFBMA	--
Design	11

Load ratings[kN]

dyn Cr	2750
stat Cor	6620

Calculation factors

e	0.4
Y1	1.7
Y2	2.5
Y0	1.7
K	1.48