

BT2B332768

Dimensions and Parameters

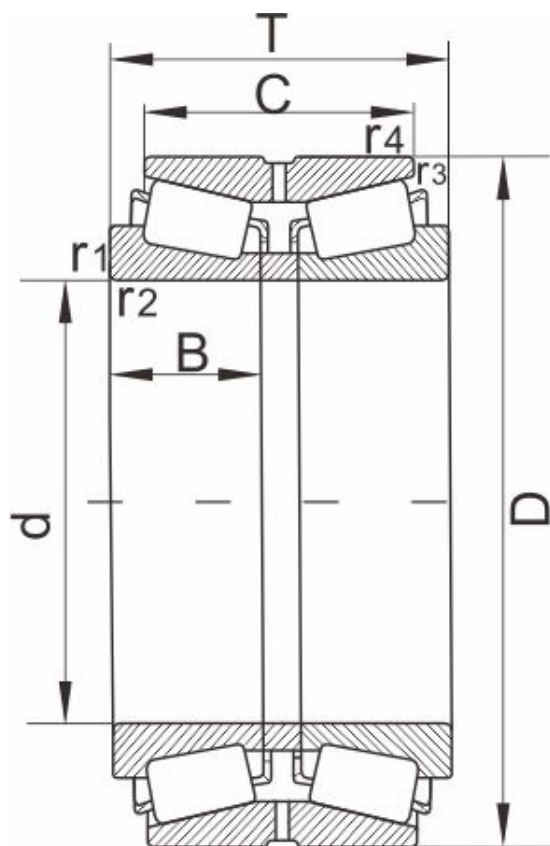


图 Design 11

Designation	BT2B332768
-------------	------------

Boundary dimensions[mm]

d	90,3.5433
D	135
T	49
C	39.35
r1,r2 Min	1.5
r3,r4 Min	0.8
Mass[kg]	2.2
AFBMA	--
Design	11

Load ratings[kN]

dyn Cr	198
stat Cor	342

Calculation factors

e	0.33
Y1	2
Y2	3
Y0	2
K	1.76