

BT2B332767

Dimensions and Parameters

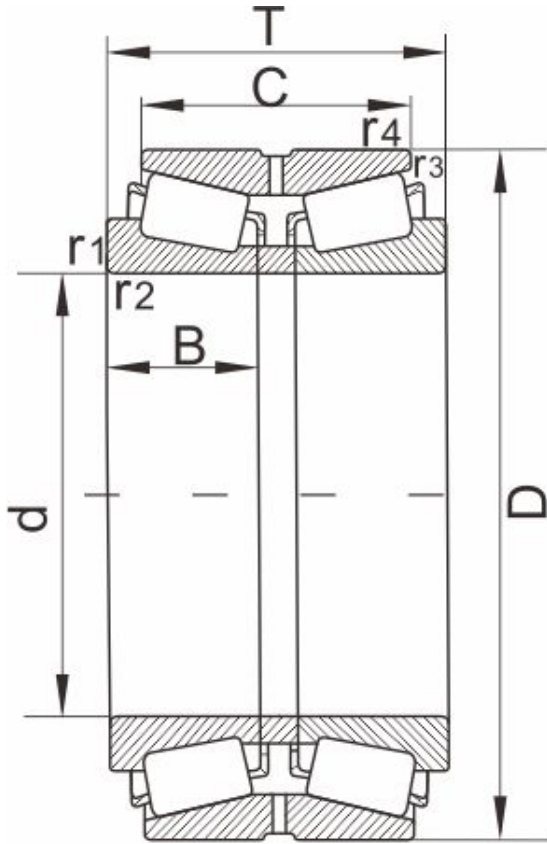


图 Design 11

Designation	BT2B332767
-------------	------------

Boundary dimensions[mm]

d	101.600,4.0000
D	146.05
T	49.212
C	39.688
r1,r2 Min	1.5
r3,r4 Min	0.8
Mass[kg]	2.45
AFBMA	L521945/L521910D
Design	11

Load ratings[kN]

dyn Cr	205
stat Cor	368

Calculation factors

e	52
Y1	18.6
Y2	0.37
Y0	1.8
K	1.61