

BT2B332662/HB1

Dimensions and Parameters

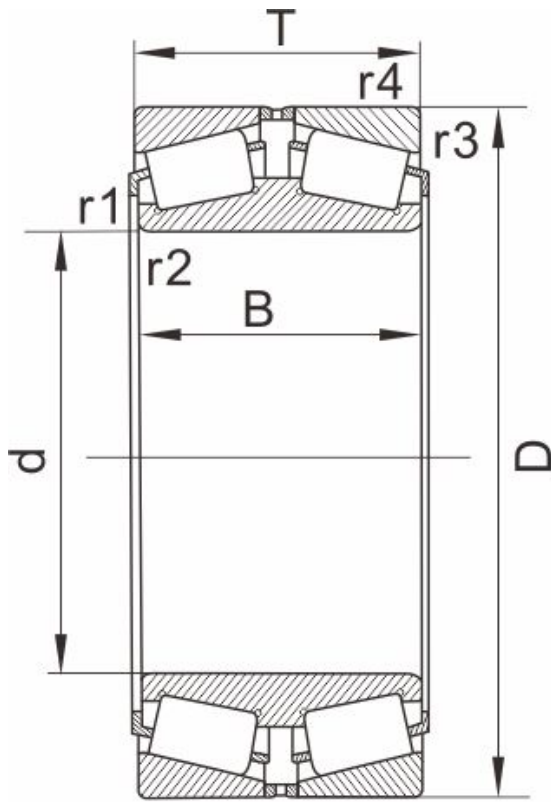


图 Design 11

Designation	BT2B332662/HB1
Boundary dimension [mm]	
d	519.112,20.4375
D	736.6
T	258.762
B	258.763
r1,r2 Min	3.3
r3,r4 Min	6.4
Mass (kg)	370
AFBMA	HM275349DW/M275310
Design	11

Load ratings[kN]

Dyn Cr	5720
Stat Cor	15300

Calculation factors

e	0.33
Y1	2
Y2	3
Y0	2
K	1.76