

BT2B332625

Dimensions and Parameters

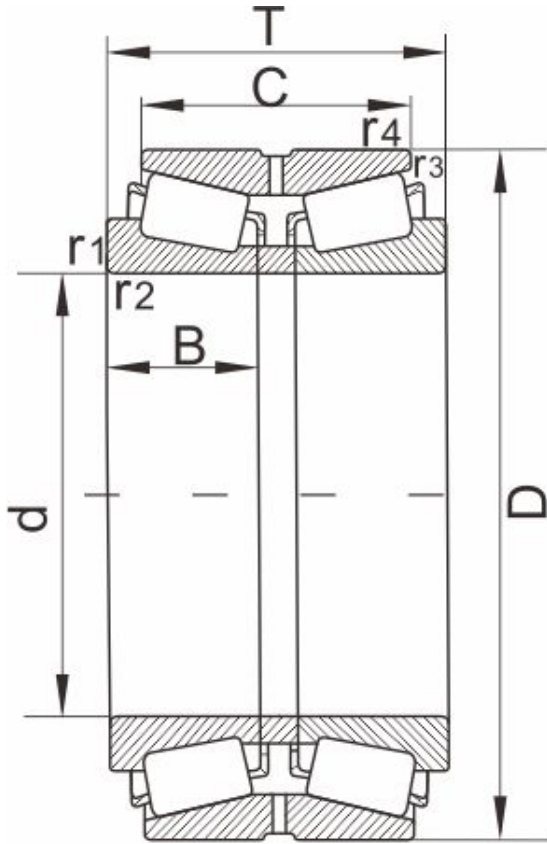


图 Design 11

Designation	BT2B332625
-------------	------------

Boundary dimensions[mm]

d	774.962,30.5103
D	1016
T	266.7
C	209.5
r1,r2 Min	8
r3,r4 Min	2.5
Mass[kg]	525
AFBMA	--
Design	11

Load ratings[kN]

dyn Cr	5830
stat Cor	17100

Calculation factors

e	0.33
Y1	2
Y2	3
Y0	2
K	1.79