

Double Row Tapered Roller Bearings (One Double Row Outer Ring and Two Inner Rings)

BT2B332585/HA2

Dimensions and Parameters

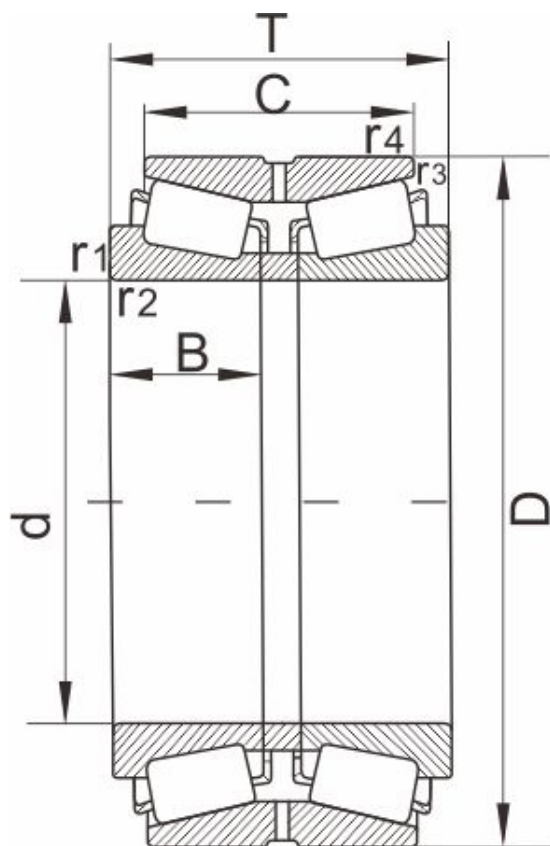


图 Design 11

Designation	BT2B332585/HA2
Boundary dimensions[mm]	
d	177.800,7.0000
D	269.875
T	119.062
C	93.662
r1,r2 Min	3.5
r3,r4 Min	1.5
Mass[kg]	23.3
AFBMA	M238840/M238810D
Design	11
Load ratings[kN]	
dyn Cr	825
stat Cor	1840
Calculation factors	
e	0.33
Y1	2
Y2	3
Y0	2
K	1.76