

Double Row Tapered Roller Bearings (One Double Row Outer Ring and Two Inner Rings)

BT2B332584/HA2

Dimensions and Parameters

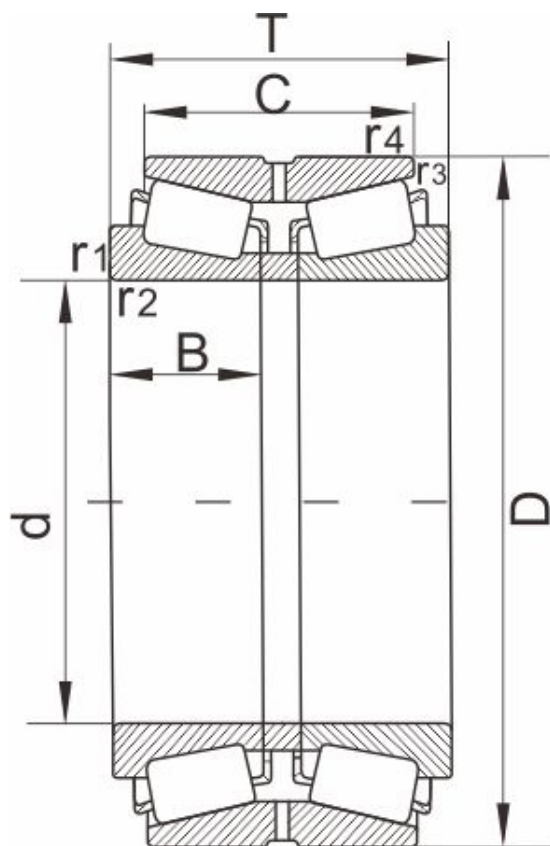


图 Design 11

Designation	BT2B332584/HA2
Boundary dimensions[mm]	
d	228.600,9.0000
D	327.025
T	114.3
C	82.55
r1,r2 Min	6.4
r3,r4 Min	1.5
Mass[kg]	30
AFBMA	8573/8520D
Design	11
Load ratings[kN]	
dyn Cr	792
stat Cor	2020
Calculation factors	
e	0.4
Y1	1.7
Y2	2.5
Y0	1.6
K	1.44