

Double Row Tapered Roller Bearings (One Double Row Outer Ring and Two Inner Rings)

BT2B332506/HA2

Dimensions and Parameters

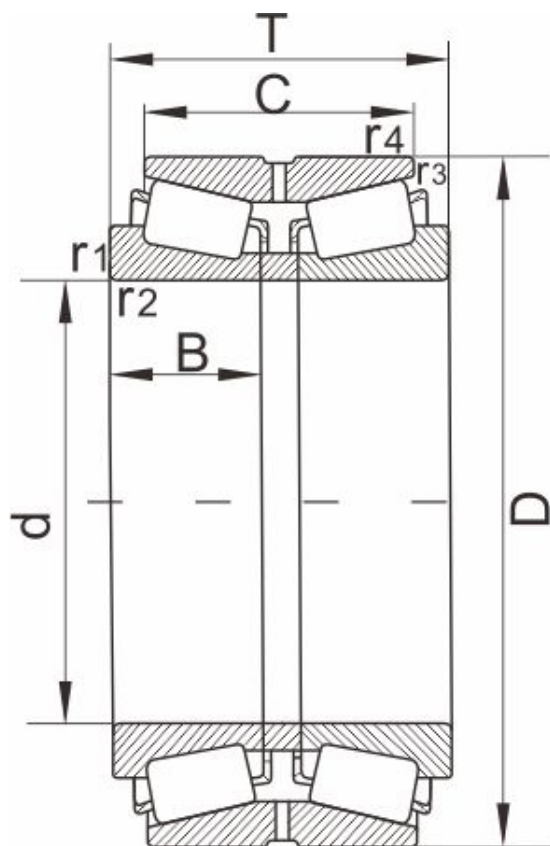


图 Design 11

Designation	BT2B332506/HA2
Boundary dimensions[mm]	
d	355.600,14.0000
D	501.65
T	155.575
C	107.95
r1,r2 Min	6.4
r3,r4 Min	1.5
Mass[kg]	87
AFBMA	EE231400/231967D
Design	11
Load ratings[kN]	
dyn Cr	1720
stat Cor	4050
Calculation factors	
e	0.44
Y1	1.5
Y2	2.3
Y0	1.5
K	1.33