

# BT2B332492

## Dimensions and Parameters

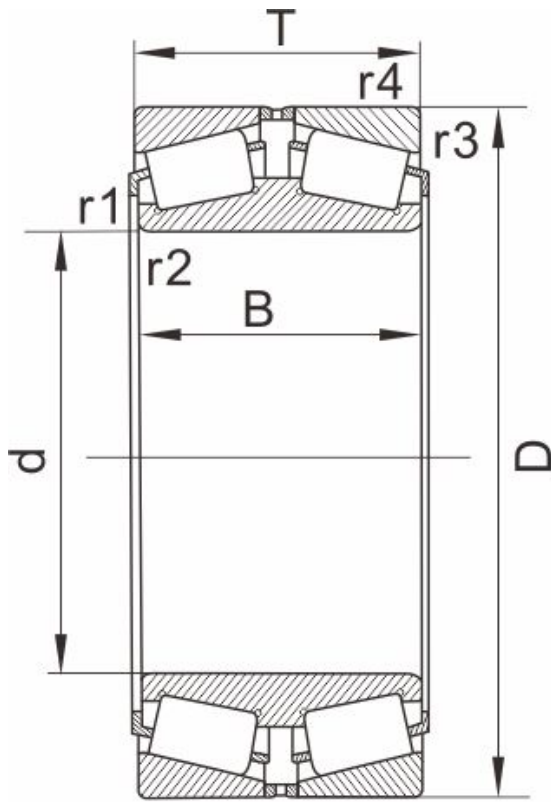


图 Design 11

Designation	BT2B332492
Boundary dimension [mm]	
d	234.950,9.2500
D	327.025
T	93.662
B	93.662
r1,r2 Min	1.5
r3,r4 Min	3.3
Mass (kg)	25.5
AFBMA	8576W/8500
Design	11

### Load ratings[kN]

Dyn Cr	737
Stat Cor	2020

### Calculation factors

e	0.4
Y1	1.7
Y2	2.5
Y0	1.6
K	1.44