

BT2B332459

Dimensions and Parameters

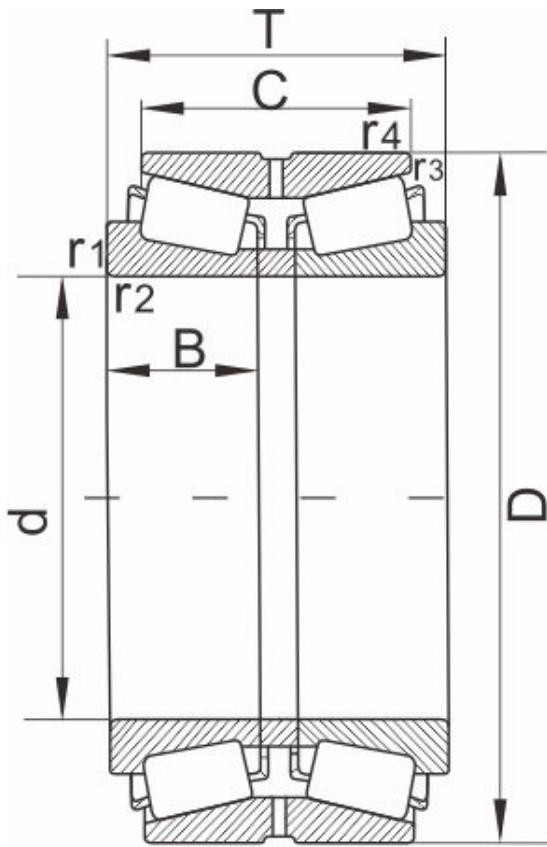


图 Design 11

Designation	BT2B332459
-------------	------------

Boundary dimensions[mm]

d	200.025,7.8750
D	317.5
T	146.05
C	111.125
$r1, r2$ Min	4.3
$r3, r4$ Min	1.5
Mass[kg]	41.5
AFBMA	93787/93127D
Design	11

Load ratings[kN]

dyn Cr	1080
stat Cor	2370

Calculation factors

e	0.52
$Y1$	1.3
$Y2$	1.9
$Y0$	1.3
K	1.12