

BT2B332449

Dimensions and Parameters

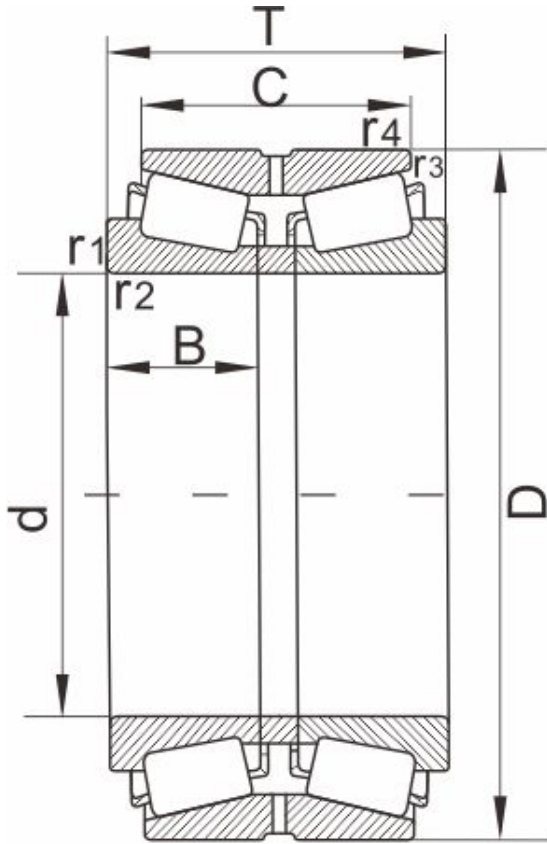


图 Design 11

Designation	BT2B332449
-------------	------------

Boundary dimensions[mm]

d	285.750,11.2500
D	380.898
T	139.7
C	107.95
r1,r2 Min	3.5
r3,r4 Min	1
Mass[kg]	42
AFBMA	LM654649/LM654610D
Design	11

Load ratings[kN]

dyn Cr	1140
stat Cor	3000

Calculation factors

e	0.43
Y1	1.6
Y2	2.3
Y0	1.6
K	1.35