

BT2B332443

Dimensions and Parameters

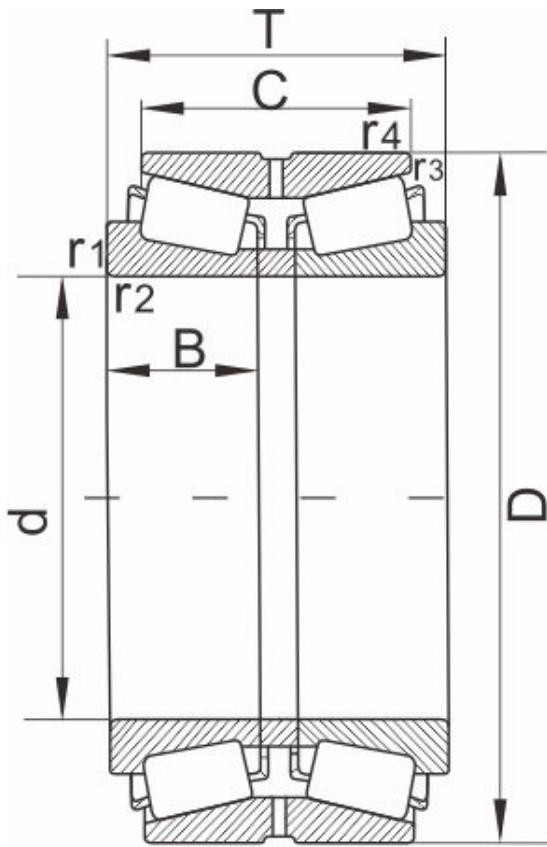


图 Design 11

Designation	BT2B332443
-------------	------------

Boundary dimensions[mm]

d	247.650,9.7500
D	406.4
T	247.65
C	203.2
r1,r2 Min	6.4
r3,r4 Min	1.5
Mass[kg]	122
AFBMA	HH249949/HH249910D
Design	11

Load ratings[kN]

dyn Cr	2810
stat Cor	6350

Calculation factors

e	0.33
Y1	2
Y2	3
Y0	2
K	1.76