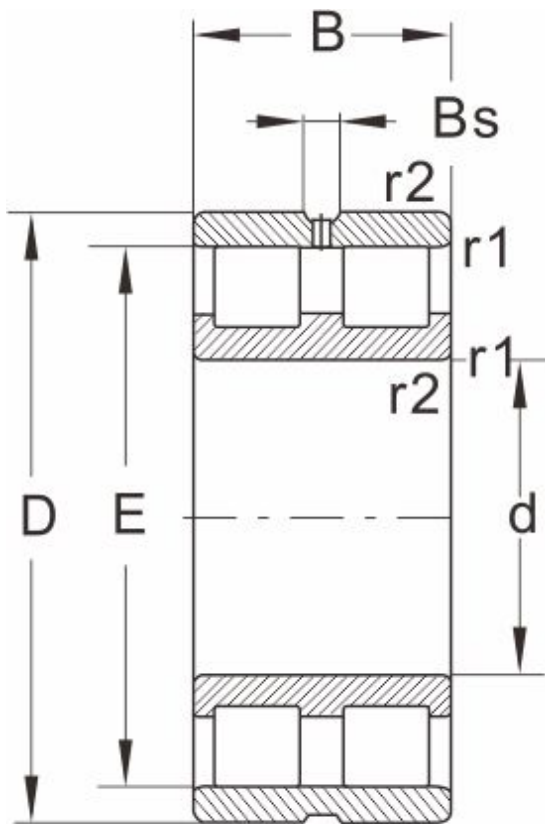


# BC2B326372/HA1

## Dimensions and Parameters



NN...W33

Bearing No.	BC2B326372/HA1
Boundary dimensions(mm)	
d	1311
D	1720
B	300
r1 r2 min	--
Basic load ratings(kN)	
Dynamic(Cr)	12500
Static(Cor)	34500
Limiting speed(rpm)	
Grease	--
Oil	240
Bearing dimension	
E	1636
F	--
Bs ≈	
S ≈	7
Weight (kg)	1820