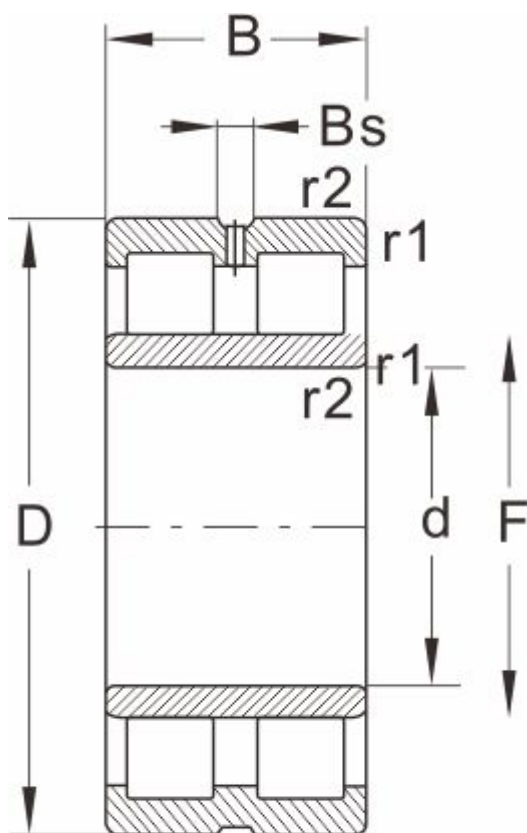


BC2B326137/HB1

Dimensions and Parameters



NNU...W33

Bearing No.	BC2B326137/HB1
Boundary dimensions(mm)	
d	420
D	580
B	130
r1 r2 min	--
Basic load ratings(kN)	
Dynamic(Cr)	2380
Static(Cor)	5300
Limiting speed(rpm)	
Grease	--
Oil	1100
Bearing dimension	
E	--
F	460
Bs ≈	--
S ≈	4.4
Weight (kg)	110