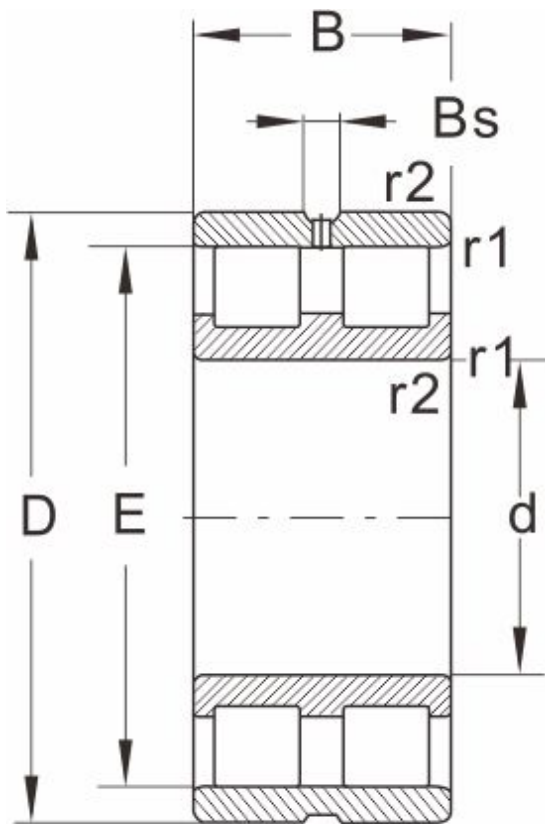


# BC2-8022/HA1

## Dimensions and Parameters



NN...W33

|                         |              |
|-------------------------|--------------|
| Bearing No.             | BC2-8022/HA1 |
| Boundary dimensions(mm) |              |
| d                       | 950          |
| D                       | 1360         |
| B                       | 420          |
| r1 r2 min               | --           |
| Basic load ratings(kN)  |              |
| Dynamic(Cr)             | 14000        |
| Static(Cor)             | 33500        |
| Limiting speed(rpm)     |              |
| Grease                  | --           |
| Oil                     | 360          |
| Bearing dimension       |              |
| E                       | --           |
| F                       | --           |
| Bs ≈                    | 22.3         |
| S ≈                     | 11           |
| Weight (kg)             | 1900         |