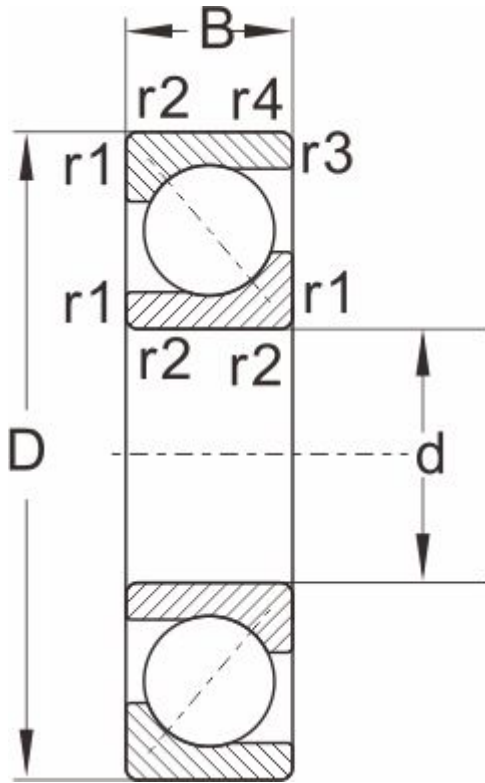


78/1000X2ACM

Dimensions and Parameters



Designations	78/1000X2ACM
Boundary dimensions	
d	1000
D	1220
B	50
r1,r2 Min	4
a ≈	2.1
Load ratings[KN]	
Dynmic Cr	409
stat Cor	1178
Speed ratings[rpm]	
grease	120
oil	150
Mass	155