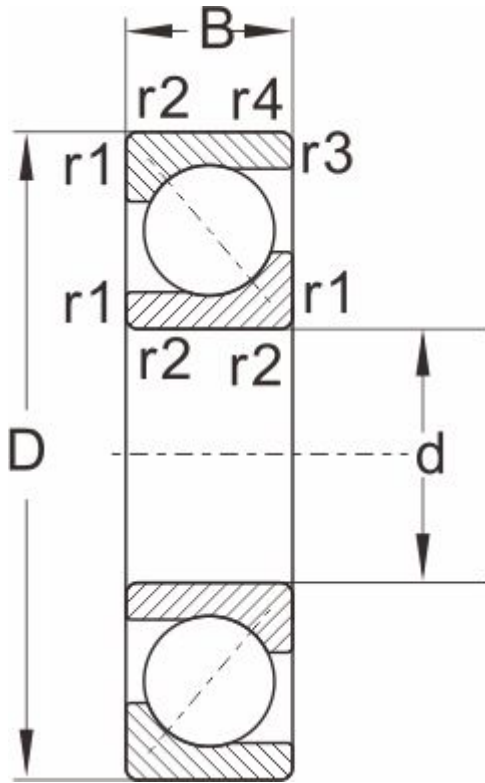


7418AC

Dimensions and Parameters



Designations	7418AC
Boundary dimensions	
d	90
D	225
B	54
r1,r2 Min	4
a ≈	1.5
Load ratings[KN]	
Dynmic Cr	233
stat Cor	214
Speed ratings[rpm]	
grease	2600
oil	3600
Mass	12.2