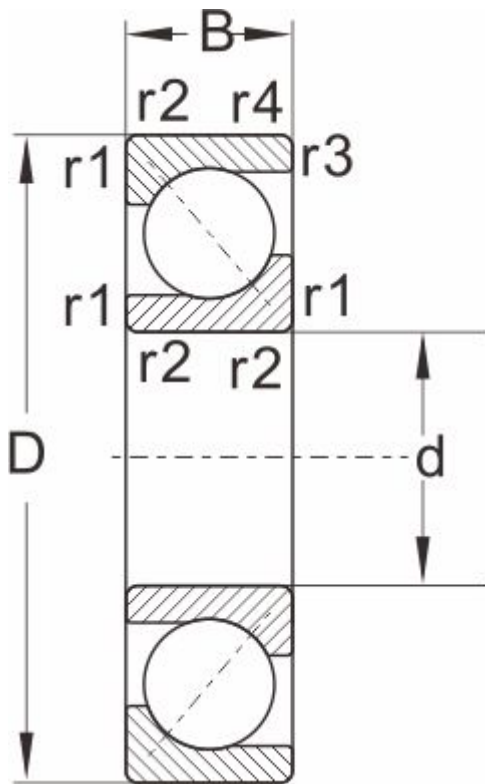


7408B**Dimensions and Parameters**

Designations	7408B
Boundary dimensions	
d	40
D	110
B	27
r1,r2 Min	2
a ≈	1
Load ratings[KN]	
Dynmic Cr	57.2
stat Cor	45.3
Speed ratings[rpm]	
grease	6000
oil	8000
Mass	1.4