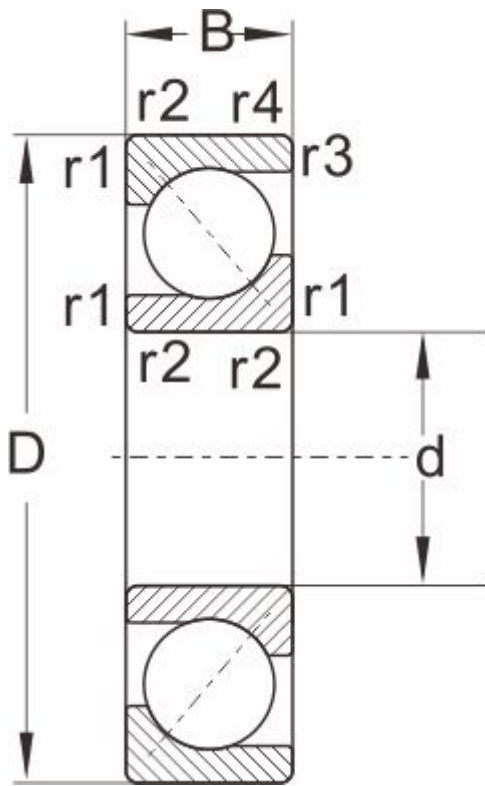


7340BM

Dimensions and Parameters



Designations	7340BM
Boundary dimensions	
d	200
D	420
B	80
r1,r2 Min	5
a ≈	2
Load ratings[KN]	
Dynmic Cr	430
stat Cor	600
Speed ratings[rpm]	
grease	1100
oil	1600
Mass	55.3