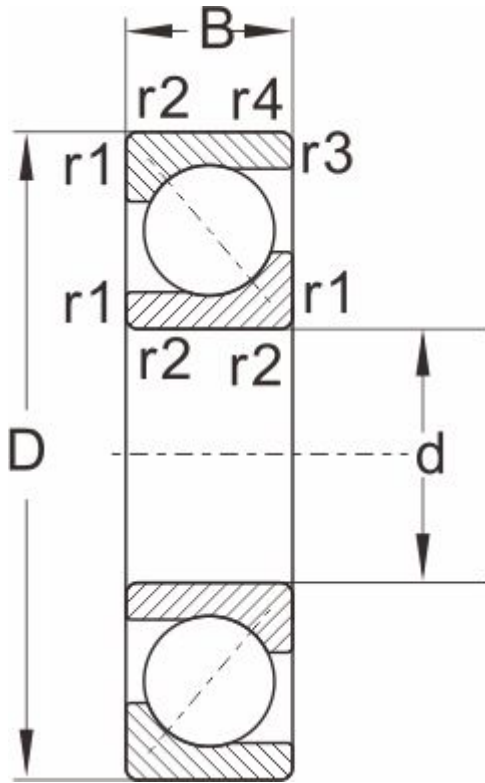


# 7336BM

## Dimensions and Parameters



Designations	7336BM
Boundary dimensions	
d	180
D	380
B	75
r1,r2 Min	4
a ≈	1.5
Load ratings[KN]	
Dynmic Cr	375
stat Cor	490
Speed ratings[rpm]	
grease	1300
oil	1800
Mass	42.6