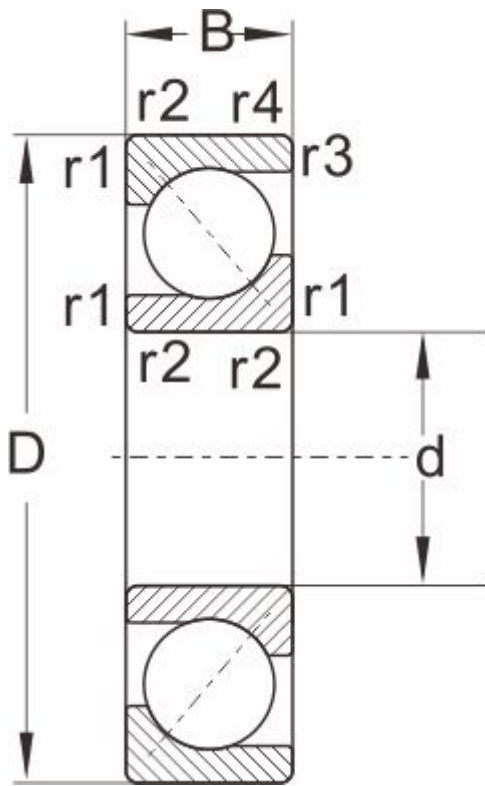


7240ACM

Dimensions and Parameters



Designations	7240ACM
Boundary dimensions	
d	200
D	360
B	58
r1,r2 Min	4
a ≈	1.5
Load ratings[KN]	
Dynmic Cr	265
stat Cor	462
Speed ratings[rpm]	
grease	1300
oil	1800
Mass	26.5