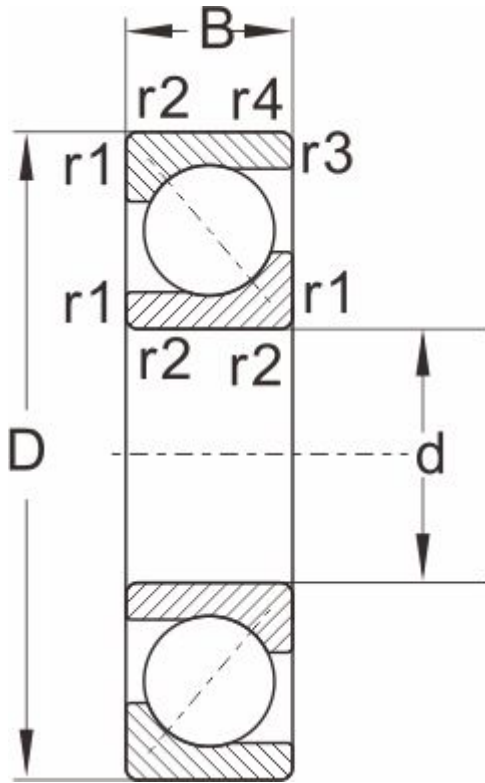


7228CM

Dimensions and Parameters



| Designations | 7228CM |
|---------------------|--------|
| Boundary dimensions | |
| d | 140 |
| D | 250 |
| B | 42 |
| r1,r2 Min | 3 |
| a ≈ | 1.1 |
| Load ratings[KN] | |
| Dynmic Cr | 180 |
| stat Cor | 243 |
| Speed ratings[rpm] | |
| grease | 1800 |
| oil | 2600 |
| Mass | 8.83 |