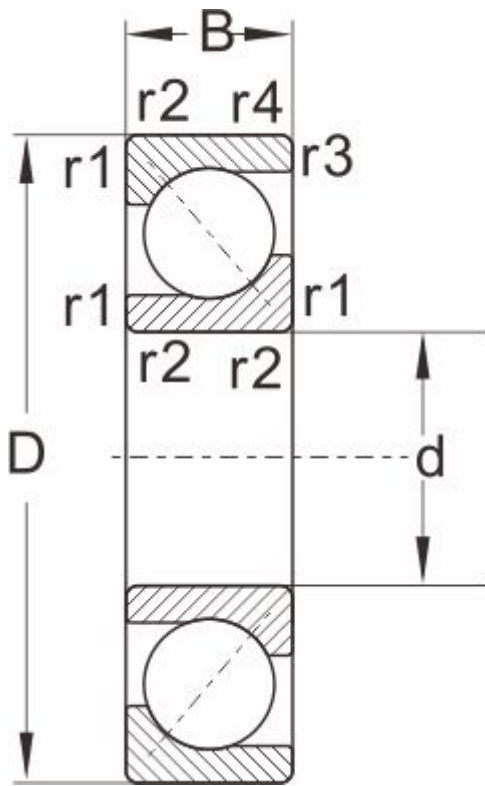


7221BM

Dimensions and Parameters



Designations	7221BM
Boundary dimensions	
d	105
D	190
B	36
r1,r2 Min	2.1
a ≈	1.1
Load ratings[KN]	
Dynmic Cr	143
stat Cor	129
Speed ratings[rpm]	
grease	2800
oil	3800
Mass	4.4