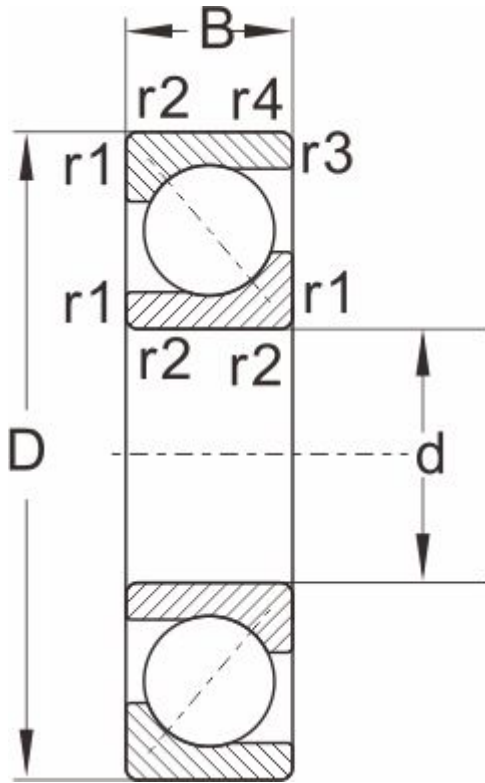


7219B

Dimensions and Parameters



Designations	7219B
Boundary dimensions	
d	95
D	170
B	32
r1,r2 Min	2.1
a ≈	1.1
Load ratings[KN]	
Dynmic Cr	116
stat Cor	100
Speed ratings[rpm]	
grease	3000
oil	4000
Mass	3.1