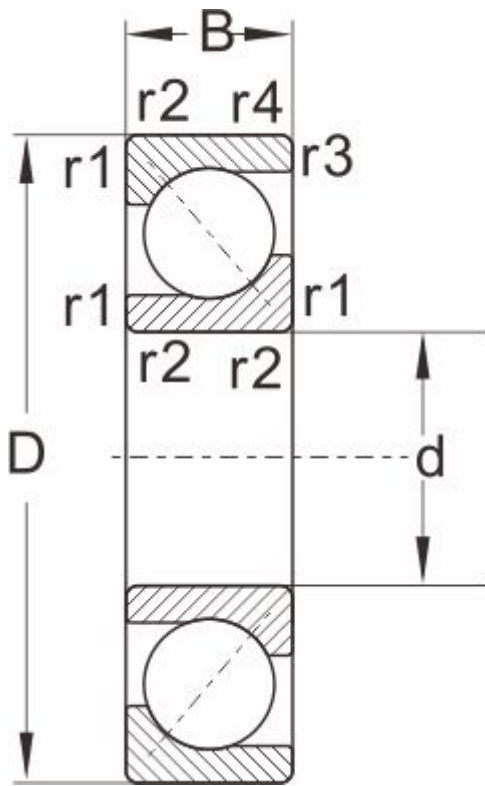


7214C

Dimensions and Parameters



Designations	7214C
Boundary dimensions	
d	70
D	125
B	24
r1,r2 Min	1.5
a ≈	0.6
Load ratings[KN]	
Dynmic Cr	72.9
stat Cor	65
Speed ratings[rpm]	
grease	4500
oil	6200
Mass	1.1