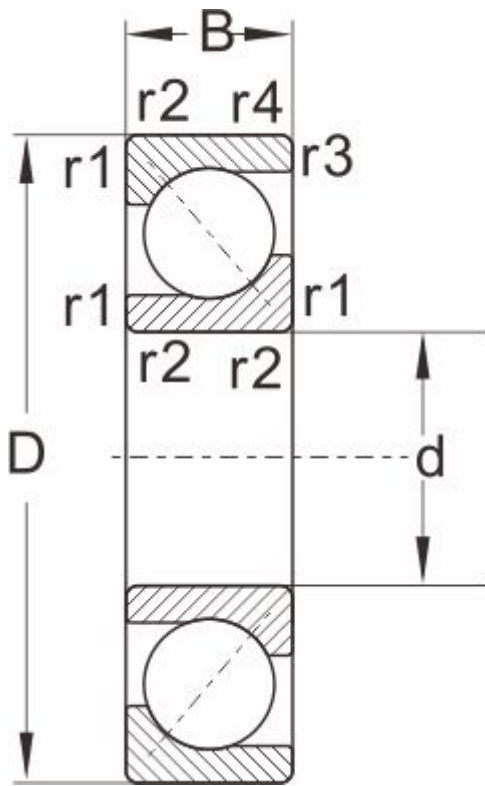


7212B

Dimensions and Parameters



Designations	7212B
Boundary dimensions	
d	60
D	110
B	22
r1,r2 Min	1.5
a ≈	1
Load ratings[KN]	
Dynmic Cr	56
stat Cor	44
Speed ratings[rpm]	
grease	4800
oil	6300
Mass	0.8