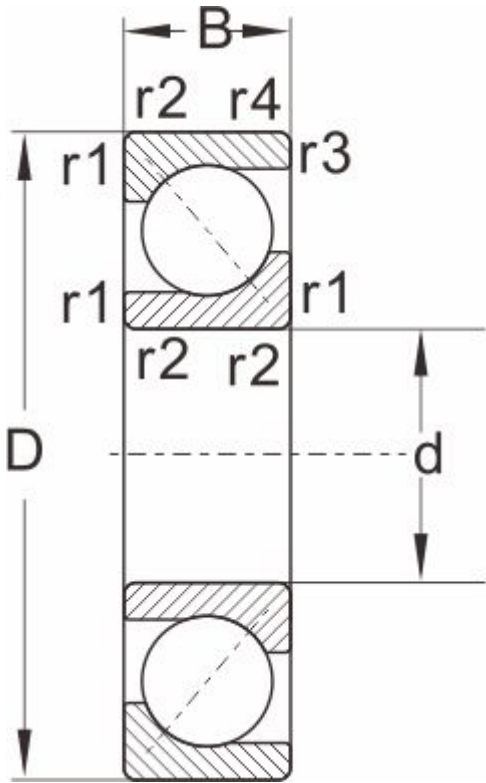


7211C

Dimensions and Parameters



Designations	7211C
Boundary dimensions	
d	55
D	100
B	21
r1,r2 Min	1.5
a ≈	0.6
Load ratings[KN]	
Dynmic Cr	53
stat Cor	40
Speed ratings[rpm]	
grease	8000
oil	10000
Mass	0.61