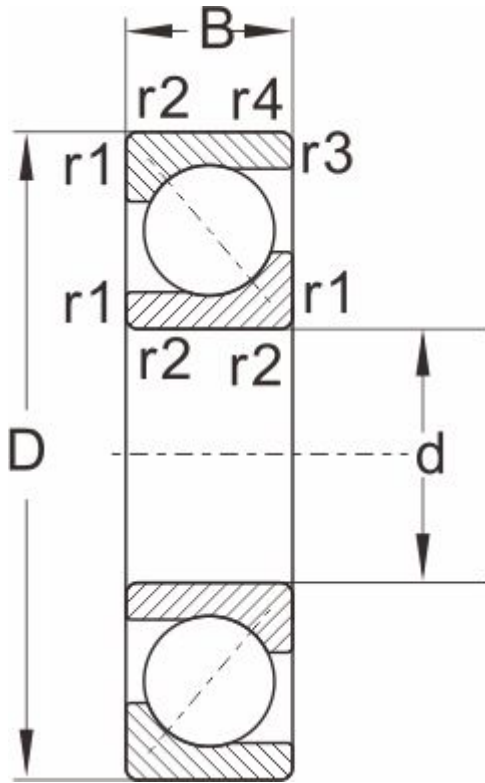


7208AC

Dimensions and Parameters



Designations	7208AC
Boundary dimensions	
d	40
D	80
B	18
r1,r2 Min	1.1
a \approx	0.6
Load ratings[KN]	
Dynmic Cr	35.2
stat Cor	24.4
Speed ratings[rpm]	
grease	7500
oil	10000
Mass	0.369