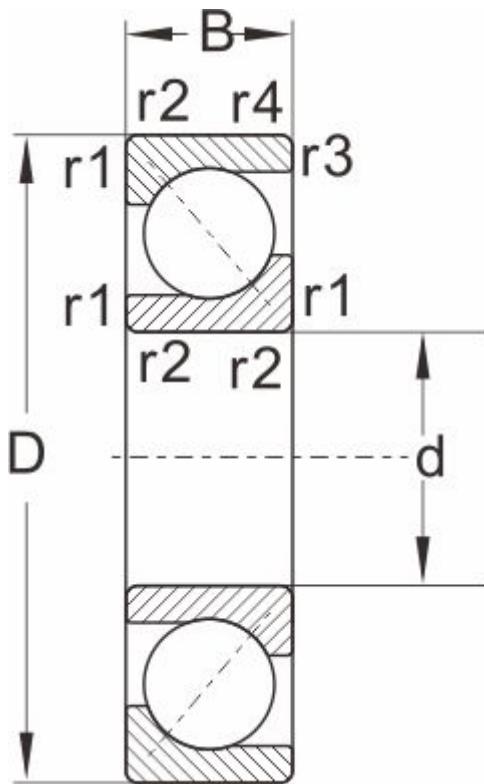


719/630ACM

Dimensions and Parameters



Designations	719/630ACM
Boundary dimensions	
d	630
D	850
B	100
r1,r2 Min	6
a ≈	2.1
Load ratings[KN]	
Dynmic Cr	855
stat Cor	2100
Speed ratings[rpm]	
grease	350
oil	440
Mass	161