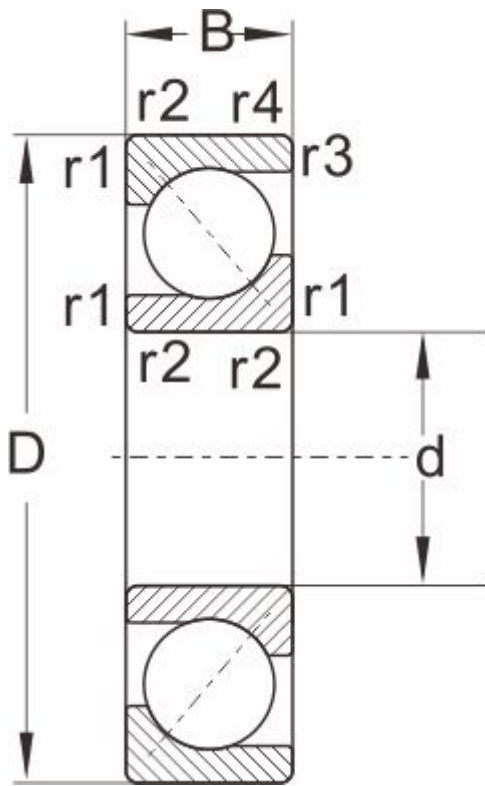


719/530ACM

Dimensions and Parameters



Designations	719/530ACM
Boundary dimensions	
d	530
D	710
B	82
r1,r2 Min	5
a ≈	2
Load ratings[KN]	
Dynmic Cr	610
stat Cor	1320
Speed ratings[rpm]	
grease	1000
oil	1500
Mass	92