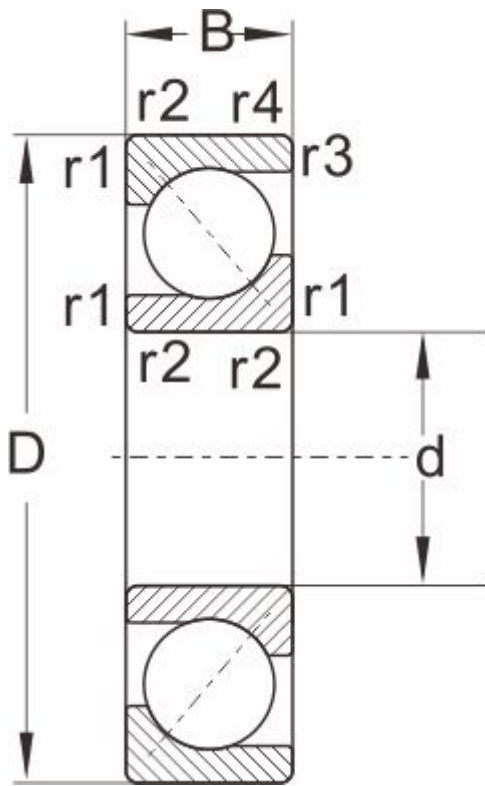


# 718/710ACM

## Dimensions and Parameters



Designations	718/710ACM
Boundary dimensions	
d	710
D	870
B	74
r1,r2 Min	4
a ≈	1.5
Load ratings[KN]	
Dynmic Cr	600
stat Cor	1600
Speed ratings[rpm]	
grease	800
oil	1100
Mass	93.5