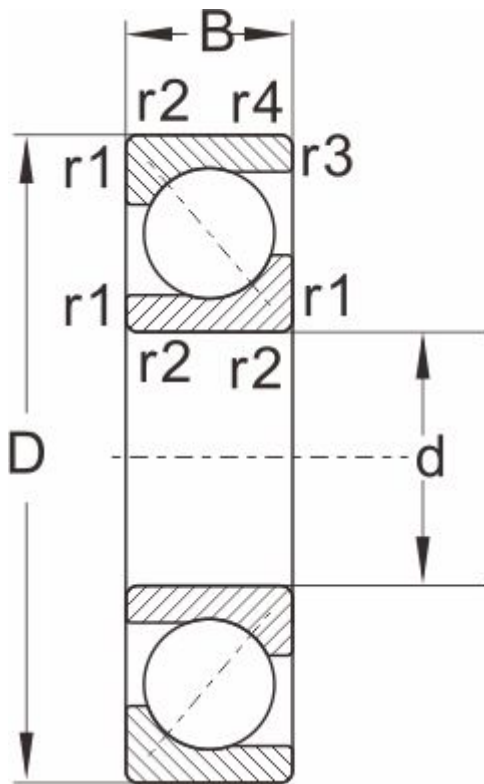


718/530ACM

Dimensions and Parameters



Designations	718/530ACM
Boundary dimensions	
d	530
D	650
B	56
r1,r2 Min	3
a ≈	1.5
Load ratings[KN]	
Dynmic Cr	410
stat Cor	930
Speed ratings[rpm]	
grease	1100
oil	1600
Mass	39.5