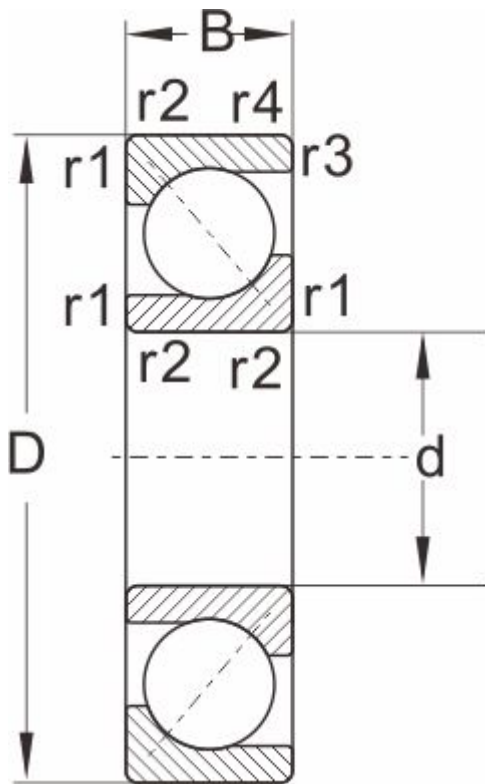


7088BM

Dimensions and Parameters



Designations	7088BM
Boundary dimensions	
d	440
D	650
B	94
r1,r2 Min	6
a ≈	3
Load ratings[KN]	
Dynmic Cr	572
stat Cor	1180
Speed ratings[rpm]	
grease	630
oil	850
Mass	100