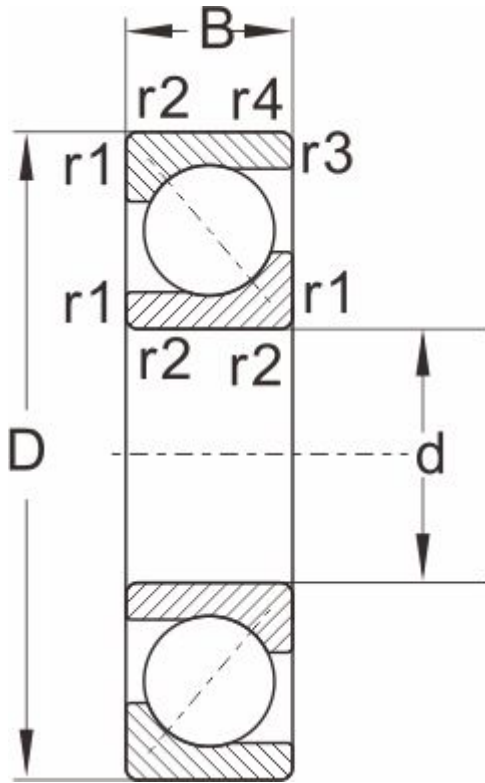


7024ACM

Dimensions and Parameters



Designations	7024ACM
Boundary dimensions	
d	120
D	180
B	28
r1,r2 Min	2
a ≈	1
Load ratings[KN]	
Dynmic Cr	77
stat Cor	107
Speed ratings[rpm]	
grease	2600
oil	3600
Mass	2.62