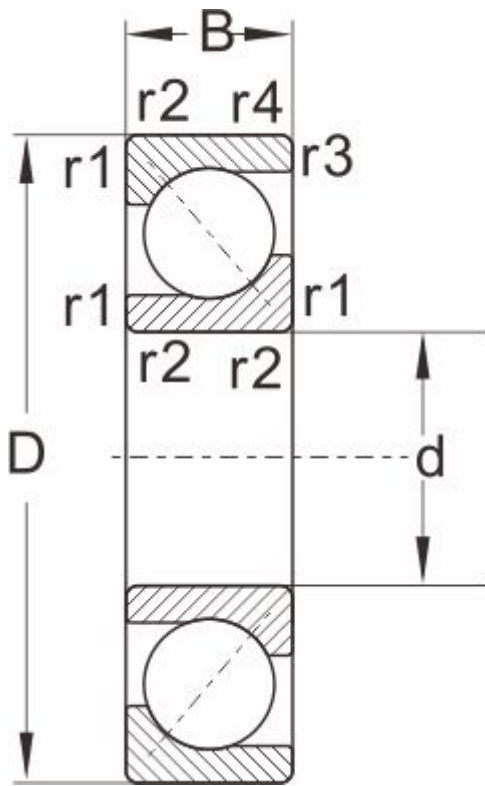


# 7020AC

## Dimensions and Parameters



Designations	7020AC
Boundary dimensions	
d	100
D	150
B	24
r1,r2 Min	1.5
a ≈	0.6
Load ratings[KN]	
Dynmic Cr	75.1
stat Cor	77
Speed ratings[rpm]	
grease	3800
oil	5000
Mass	1.25