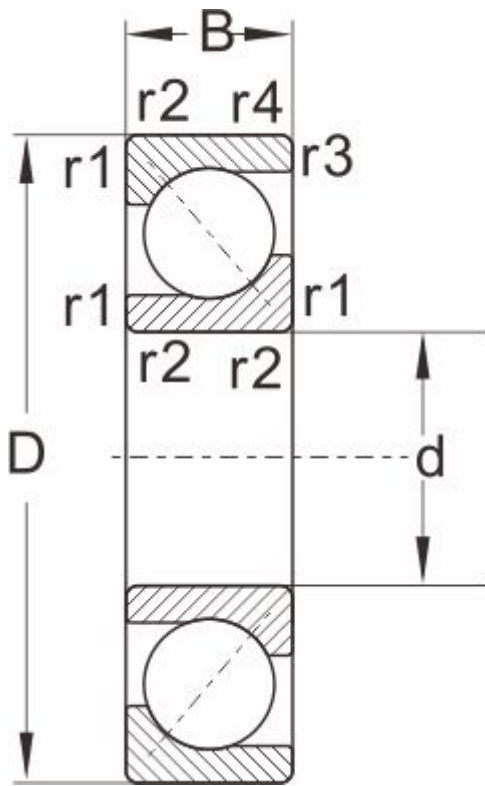


7017C

Dimensions and Parameters



Designations	7017C
Boundary dimensions	
d	85
D	130
B	22
r1,r2 Min	1.1
a ≈	0.6
Load ratings[KN]	
Dynmic Cr	62.5
stat Cor	61.7
Speed ratings[rpm]	
grease	4300
oil	5600
Mass	0.89