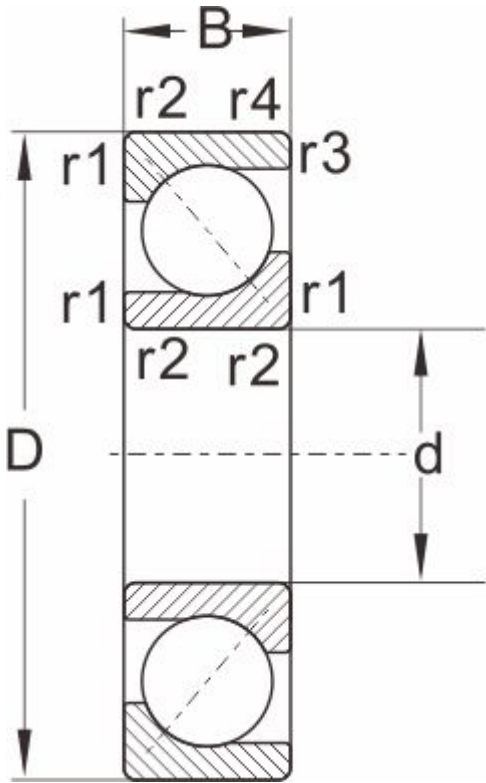


7014AC

Dimensions and Parameters



Designations	7014AC
Boundary dimensions	
d	70
D	110
B	20
r1,r2 Min	1.1
a ≈	0.6
Load ratings[KN]	
Dynmic Cr	45.7
stat Cor	42.7
Speed ratings[rpm]	
grease	5000
oil	6700
Mass	0.6