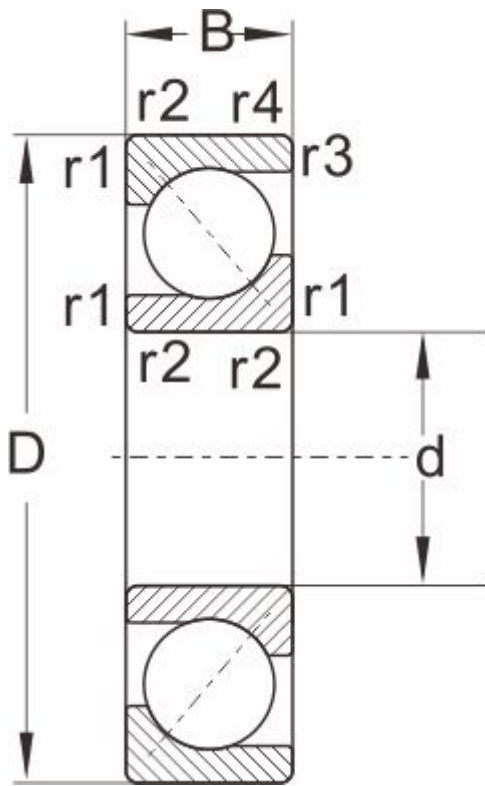


7009AC

Dimensions and Parameters



Designations	7009AC
Boundary dimensions	
d	45
D	75
B	16
r1,r2 Min	1
a ≈	0.3
Load ratings[KN]	
Dynmic Cr	24.5
stat Cor	19.3
Speed ratings[rpm]	
grease	7500
oil	10000
Mass	0.23