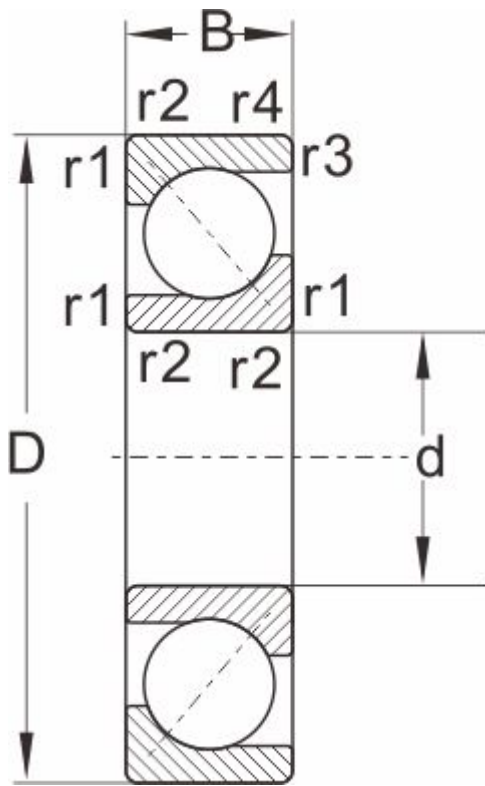


70/500BM

Dimensions and Parameters



Designations	70/500BM
Boundary dimensions	
d	500
D	720
B	100
r1,r2 Min	6
a ≈	3
Load ratings[KN]	
Dynmic Cr	637
stat Cor	1400
Speed ratings[rpm]	
grease	560
oil	750
Mass	130