

641070A

Dimensions and Parameters

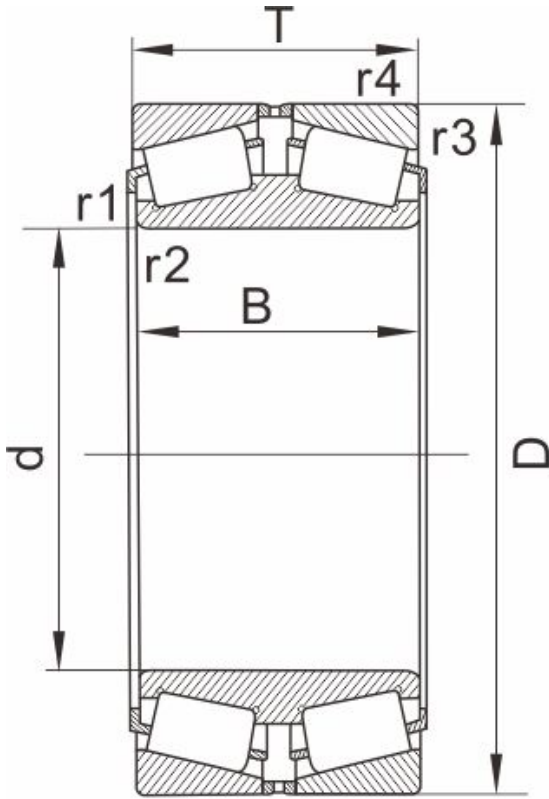


图 Design 11

Designation	641070A
Boundary dimension [mm]	
d	288.925,11.3750
D	406.4
T	144.462
B	144.462
r1,r2 Min	3.3
r3,r4 Min	3.3
Mass (kg)	60.5
AFBMA	M255449D/M255410
Design	11

Load ratings[kN]

Dyn Cr	1680
Stat Cor	4340

Calculation factors

e	0.33
Y1	2
Y2	3
Y0	2
K	1.73