

617335

Dimensions and Parameters

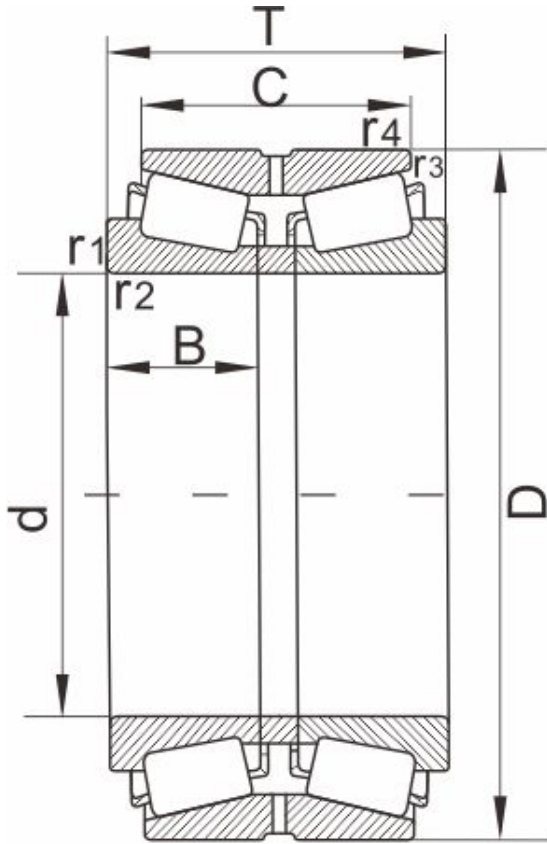


图 Design 11

Designation	617335
Boundary dimensions[mm]	
d	100,3.9370
D	180
T	80
C	64
r1,r2 Min	3
r3,r4 Min	0.8
Mass[kg]	7.65
AFBMA	--
Design	11
Load ratings[kN]	
dyn Cr	429
stat Cor	672
Calculation factors	
e	112
Y1	46.5
Y2	0.43
Y0	1.6
K	1.39