

6140181)

Dimensions and Parameters

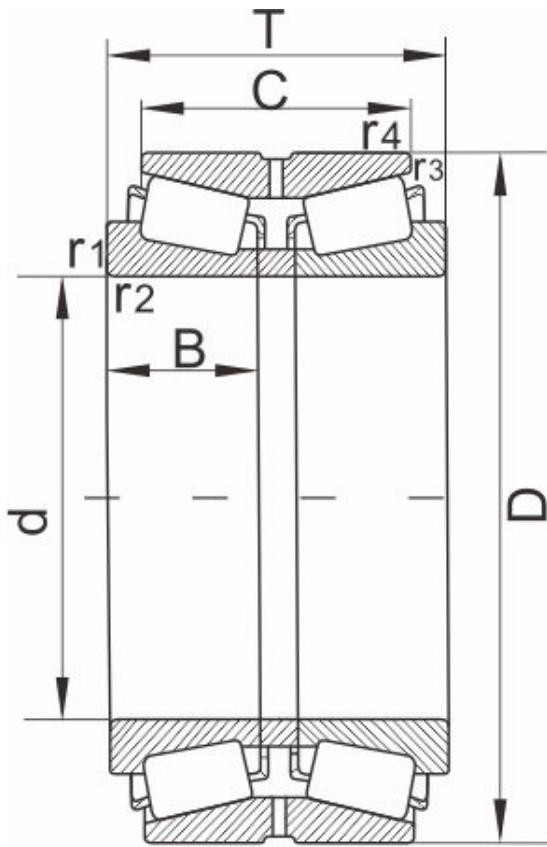


图 Design 11

Designation	6140181)
-------------	----------

Boundary dimensions[mm]

d	107.950,4.2500
D	158.75
T	53.978
C	36.688
r1,r2 Min	3.5
r3,r4 Min	0.8
Mass[kg]	3
AFBMA	37425/2/CL3/37626D
Design	11

Load ratings[kN]

dyn Cr	176
stat Cor	318

Calculation factors

e	45
Y1	26.5
Y2	0.6
Y0	1.15
K	0.96