

613328A

Dimensions and Parameters

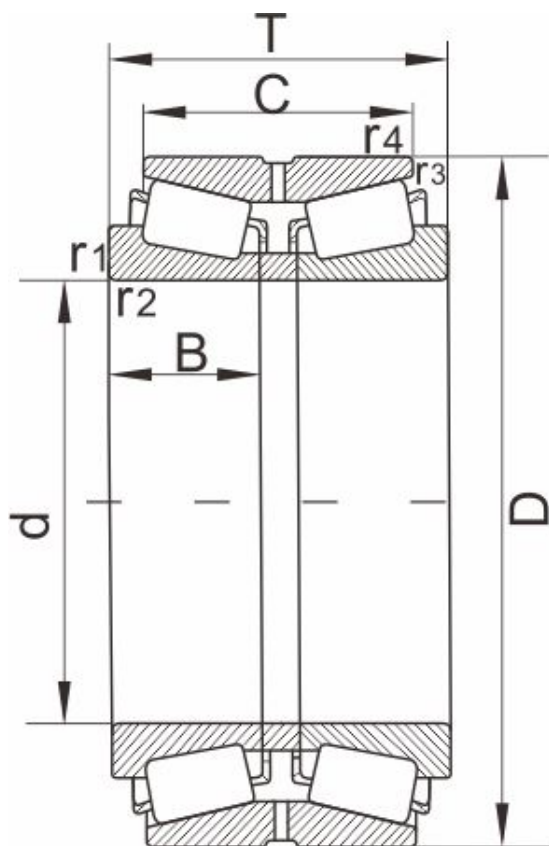


图 Design 11

Designation	613328A
-------------	---------

Boundary dimensions[mm]

d	152.400,6.0000
D	222.25
T	100.01
C	76.2
r1,r2 Min	3.5
r3,r4 Min	0.8
Mass[kg]	12
AFBMA	M231649/M231610D
Design	11

Load ratings[kN]

dyn Cr	561
stat Cor	1230

Calculation factors

e	146
Y1	48
Y2	0.33
Y0	2
K	1.76