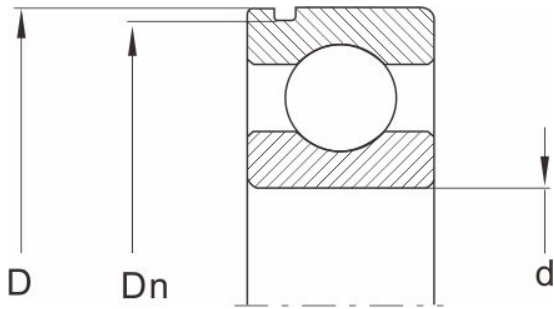


# 6028N

## Dimensions and Parameters



### Designation Bearing series

60	6028N
62	6205N
63	6304N
64	6402N
D	52

### Dn

min.	49.48
max.	49.73

### a Bearing series 60

min.	1.91
max.	2.06

### a Bearing series 62 63 64

min.	2.31
max.	2.46

### b

min.	1.35
max.	1.65

### r0

max.	0.4
------	-----

### Stop ring

D	SP52
---	------

### f

min.	1.02
max.	1.12

### e

# Single Row Deep Groove Ball Bearings with Snap Ring Groove and Snap

Ring

min.

3.89

max.

4.04

g

≈

4

DR

max

57.9

DG

min

58.5