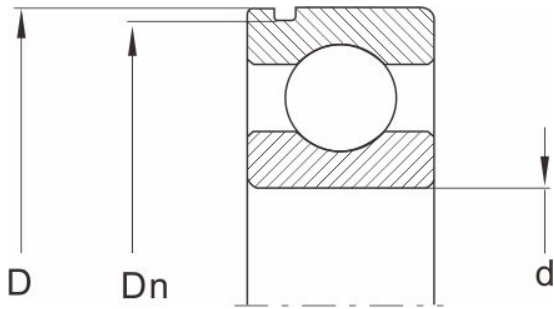


# 6026N

## Dimensions and Parameters



### Designation Bearing series

|    |       |
|----|-------|
| 60 | 6026N |
| 62 | 6222N |
| 63 | 6319N |
| 64 | 6416N |
| D  | 200   |

### Dn

|      |        |
|------|--------|
| min. | 193.15 |
| max. | 193.65 |

### a Bearing series 60

|      |      |
|------|------|
| min. | 5.44 |
| max. | 5.69 |

### a Bearing series 62 63 64

|      |      |
|------|------|
| min. | 5.44 |
| max. | 5.69 |

### b

|      |     |
|------|-----|
| min. | 3.5 |
| max. | 3.8 |

### r0

|      |     |
|------|-----|
| max. | 0.6 |
|------|-----|

### Stop ring

|   |       |
|---|-------|
| D | SP200 |
|---|-------|

### f

|      |     |
|------|-----|
| min. | 3   |
| max. | 3.1 |

### e

# Single Row Deep Groove Ball Bearings with Snap Ring Groove and Snap

Ring

min.

9.45

max.

9.6

g

≈

10

DR

max

182.9

DG

min

215