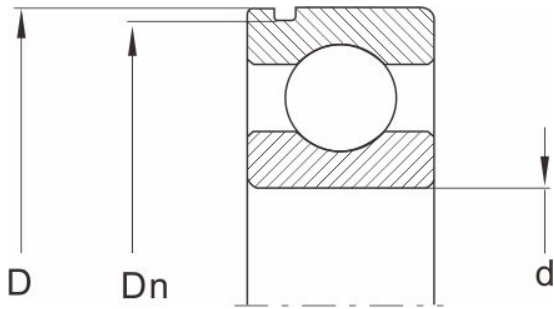


6024N

Dimensions and Parameters



Designation Bearing series

60	6024N
62	6220N
63	6317N
64	6414N
D	180

Dn

min.	173.16
max.	173.66

a Bearing series 60

min.	3.45
max.	3.71

a Bearing series 62 63 64

min.	5.44
max.	5.69

b

min.	3.5
max.	3.8

r0

max.	0.6
------	-----

Stop ring

D	SP180
---	-------

f

min.	3
max.	3.1

e

Single Row Deep Groove Ball Bearings with Snap Ring Groove and Snap

Ring

min.

9.45

max.

9.6

g

≈

10

DR

max

182.9

DG

min

195