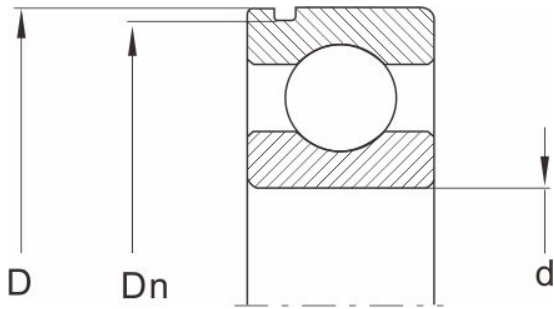


6019N

Dimensions and Parameters



Designation Bearing series

60	6019N
62	--
63	--
64	--
D	145

Dn

min.	139.73
max.	140.23

a Bearing series 60

min.	3.44
max.	3.71

a Bearing series 62 63 64

min.	--
max.	--

b

min.	3.1
max.	3.4

r0

max.	0.6
------	-----

Stop ring

D	SP145
---	-------

f

min.	2.72
max.	2.82

e

Single Row Deep Groove Ball Bearings with Snap Ring Groove and Snap

Ring	min.	7.06
	max.	7.21
g		
	≈	7
DR		
	max	154.7
DG		
	min	157